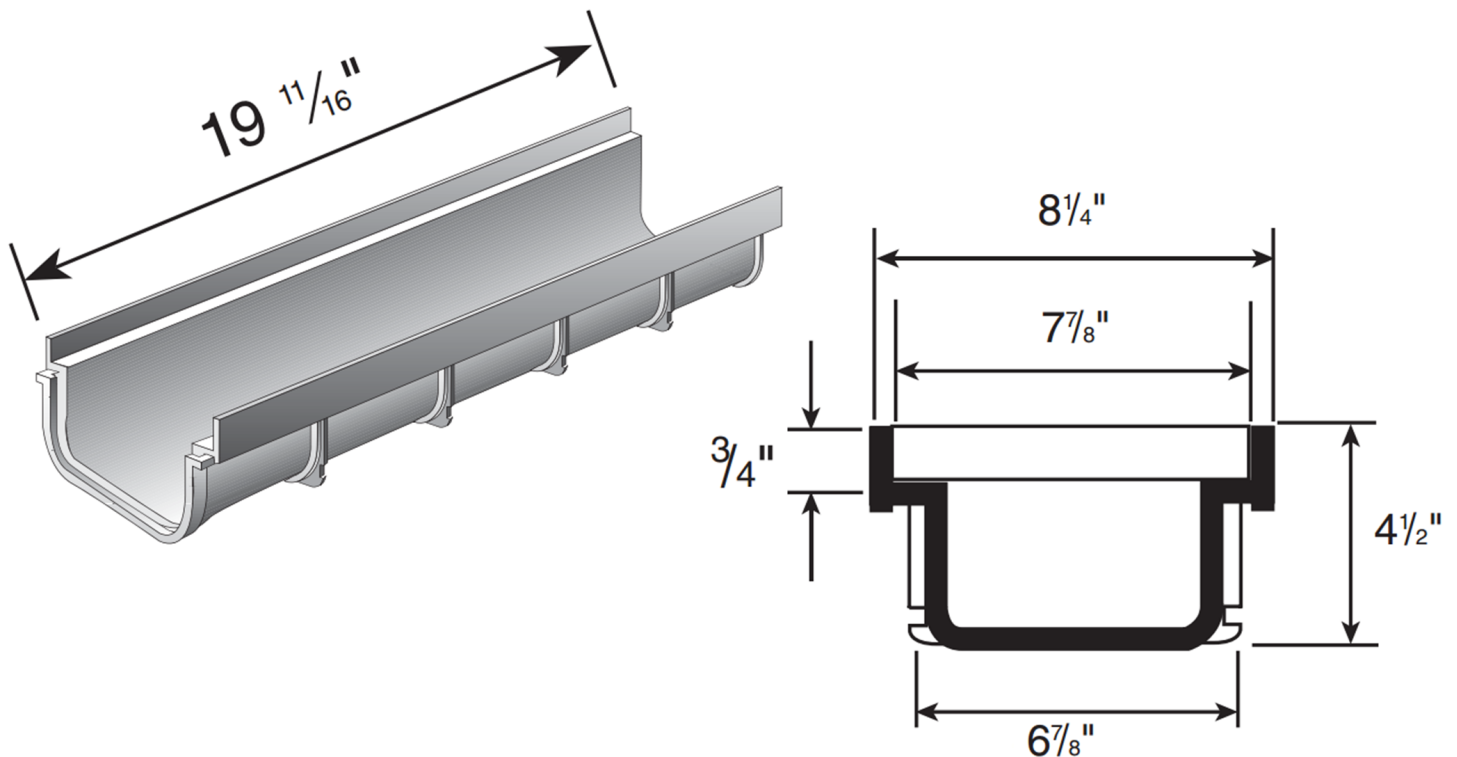


8" PRO SERIES CHANNEL SHALLOW PROFILE



Material: UV Protected PVC

Colors: Gray (830)

Weight: 2.00 lbs each

Interlocks with other Shallow Profile 8" Pro Series Channels.

Should be installed a minimum 1/8" below finished grade for non-traffic applications and 1/4" below finished grade for traffic applications.

Grate sold separately.

Supplied By:

**TRENCHDRAIN
SUPPLY**

877-903-7246
www.trenchdrainsupply.com